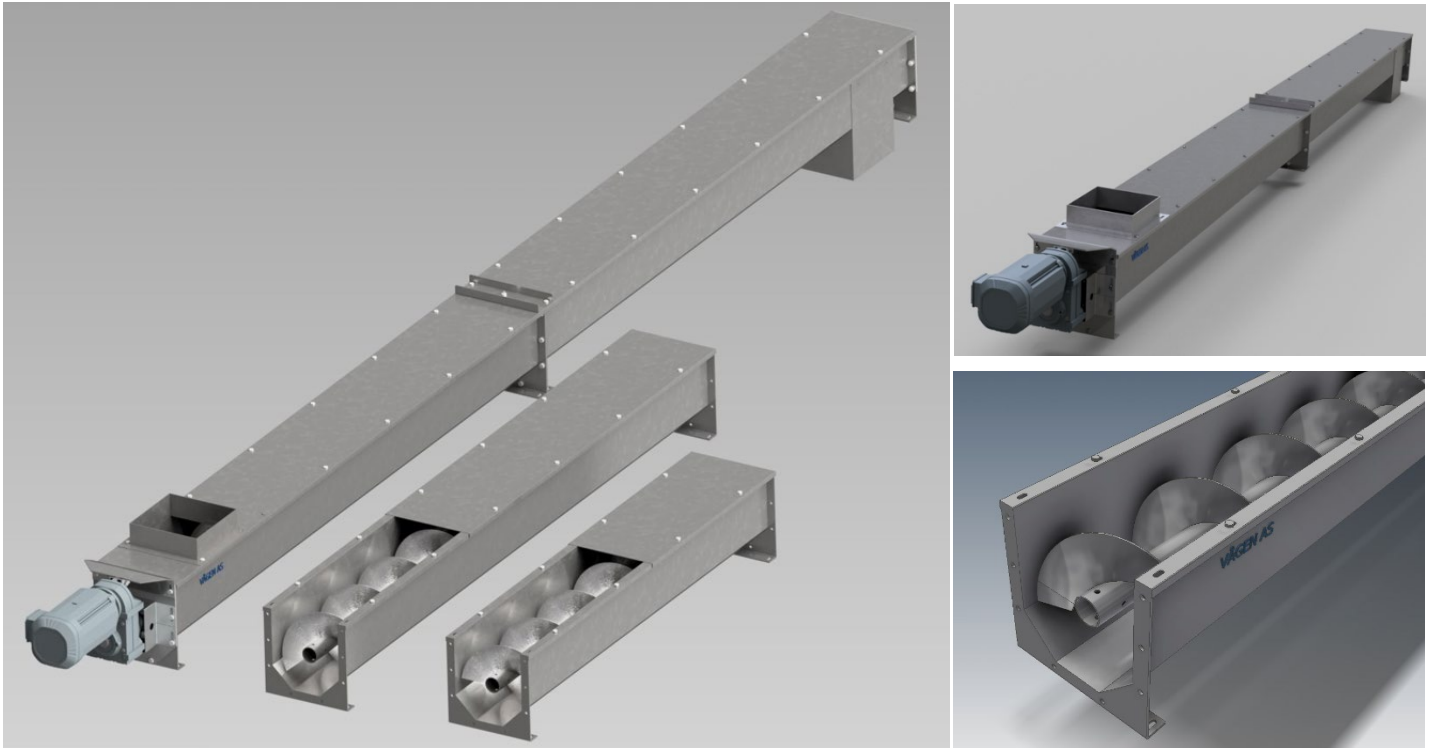




VÅGEN EXPRESS



Trough

- AISI 304

Rotor

- Stainless or carbon steel
- With central pipe

Drive units

- SEW, others on request

Delivery time

- In parts: 1 – 2 days
- Assembled: 1 – 2 weeks

Options

- Delivered in parts or assembled
- Packing and transport
- Installation

VÅGEN EXPRESS

Simple screw conveyors that are assembled in different lengths in the most used dimensions, Ø200mm and Ø300mm. The screw conveyor can be delivered in parts or fully assembled.

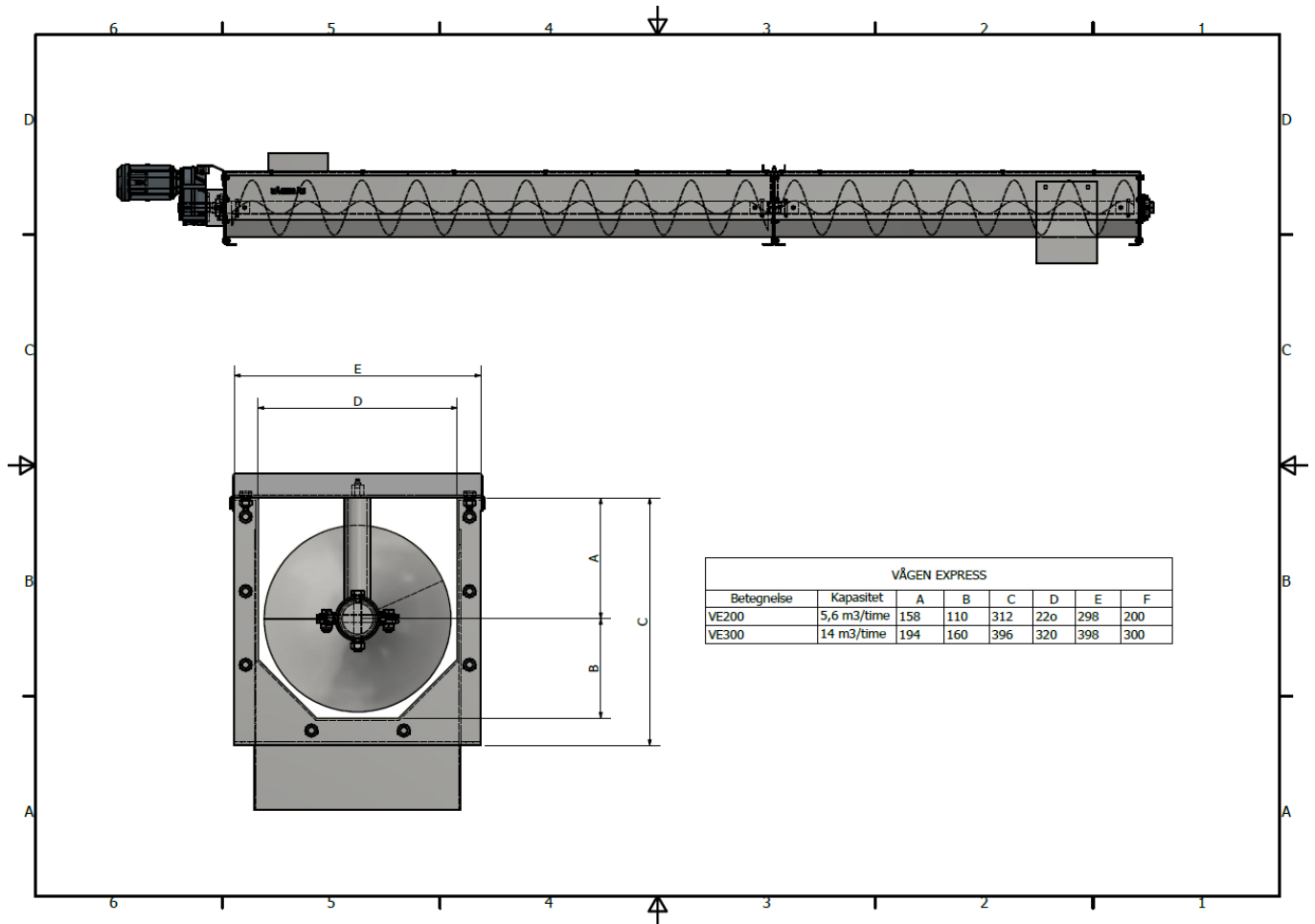
Configure your own screw conveyor in our online shop, order with the desired options and the transport screw is ready for delivery in 1-2 weeks.

This is a simple standard product, delivered without process guarantees. To ensure the right screw for your use, contact us by email vagen@vagen.no

IN-STOCK SCREW CONVEYORS

Complete simple screw conveyors are kept in stock for fast deliveries. These can be put together in combinations of 2- and 3-meter lengths, up to 12 meters.

TYPE	LENGTH	DIAMETER	CAPACITY
TROUGH	2000/3000	Ø220/Ø320	5,6/14m ³ /t
ROTOR	2000/3000	Ø200/Ø300	5,6/14m ³ /t



GENERAL INFORMATION

- Complete simple screw conveyors in stock
- Assembled screw conveyors delivered test driven and CE marked.
- Can be delivered in parts for assembly by customer.
- Delivery time: 1-2 weeks assembled, 1 – 2 days in parts
- Energy efficient drive units from SEW with high quality
- Can be delivered from 2 to 12 meters, assembled by 2- and 3-meter sections with intermediate bearings
- Rotor delivered with central pipe
- Rotor produced in stainless or carbon steel
- Trough produced in AISI 304
- Wear parts kept in stock
- Contact us with any uncertainties regarding which screw conveyor fits for your application

Contact us for more information regarding our services and products.

Vågen AS

Vågsmarka 9, 5690 Tysnes

T + 47 53 43 02 00 | **E** vagen@vagen.no

W www.vagen.no