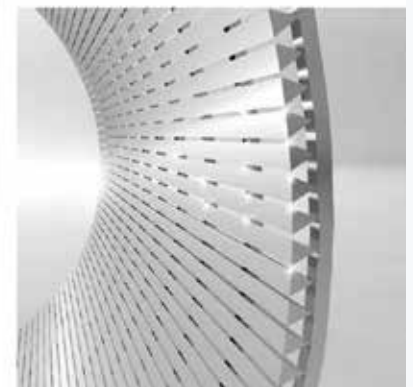


# SCREW PRESSES



## VSP 200

- 180 kg
- 3 Phase 230/400V
- 0,75 KW

## VSP 300

- 467 kg
- 3 Phase 230/400V
- 2,2 KW

### Sieves

- Axial wire sieve 0,1-1mm
- Hole sieve Ø 3mm
- AISI 316

### Extruder

- Valves fitted

### Materials

- Pipe trough AISI 316
- Rotor AISI 316
- SEW Gear motor

## SCREW PRESS EXTRUDER

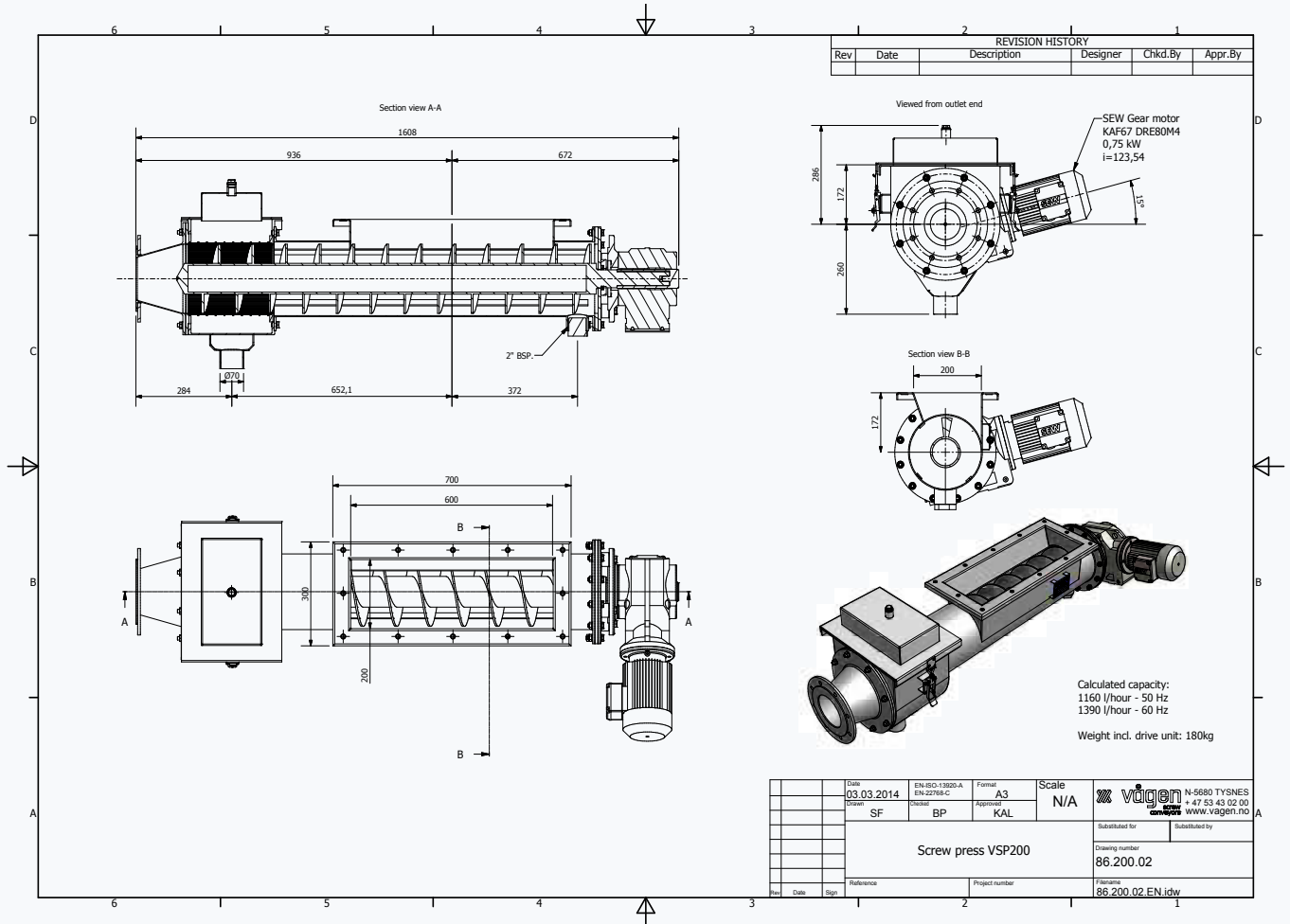
Often there is a need to separate fluid from solids. Mechanical dewatering is then the most energy effective process.

VSP 200 & 300 are sturdy machines, easy to maintain. The press can be delivered with a wire screen sieve or a round hole sieve with dimensions from 0,1mm to 3mm, depending on the characteristics of the substance to process. If you have special needs we can customise the screw press. The screw press can also be used as an extruder.

We also deliver the starter applications you may need, all in accordance with the Machinery Directive and ATEX if required. Simple start/stop or frequency converter to optimise the speed for different substances.

In stock VSP 200

| TYPE        | LENGTH          | DIAMETER  | CAPACITY    | ANGEL  |
|-------------|-----------------|-----------|-------------|--------|
| VSP 200     | 1608            | Ø 200     | 0-1,5 m3/h  | 0-15 ° |
| VSP 300     | 2537            | Ø 300     | 1 -4,0 m3/h | 0-15 ° |
| VSP CUSTOM  | 1500-           | Ø 200-350 | 0,5 m3/h -  | 0-15 ° |
| Legs        | High adjustable | -         | -           | -      |
| Feed hopper |                 | -         | 170 liters  |        |



## General information

- High quality and energy efficient compact gear motors from SEW Eurodrive. Other drive units can also be applied.
- Can be delivered with aseptic gear motors up to 1,5KW.
- Flange mounted for easy assembly.
- Dewatering with low energy consumption.
- Manufactured in stainless steel AISI316 approved for the food industry, or other materials on request.
- Conical or straight screw press rotor manufactured in AISI 316 or other materials on request.
- Interchangeable sieves, wire screens or hole sieves are fitted with desired light opening.
- Connection for automatic flushing and cleaning of strainer casing.
- Drain plug for draining of free water in the inlet area.
- Solids content up to ca 40%.
- Standard flange 600mm x 200mm
- Feed hopper with lid, adapted to the inlet flange can be supplied.
- Height adjustable supports 440-480 from floor to centreline screw press can be delivered.
- Wire screen sieve with V-profiles.

Contact us for more information about our services and products.

**Vågen AS**

Vågsmarka 9, 5680 Tysnes

T +47 53 43 02 00 | E vagen@vagen.no

W www.vagen.no