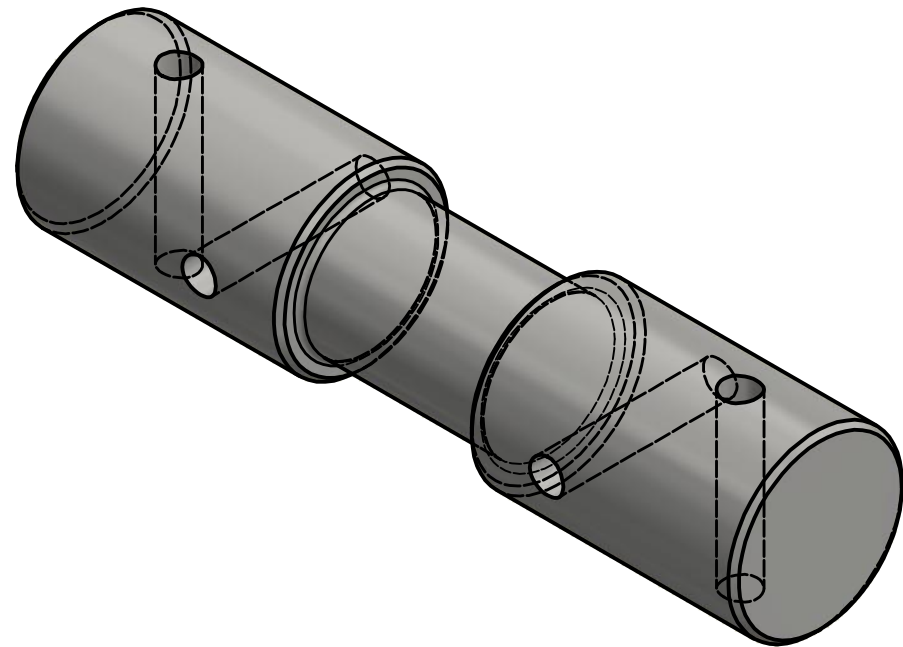
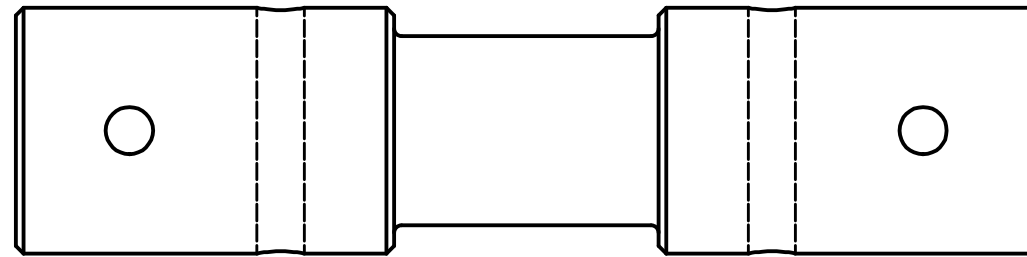
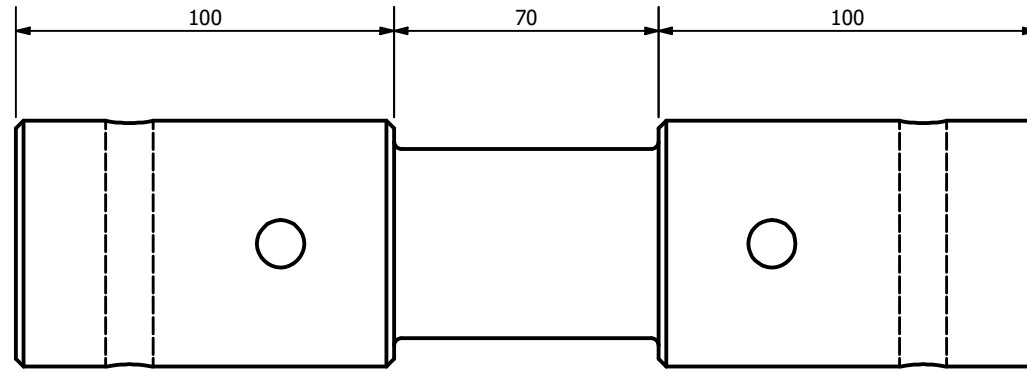
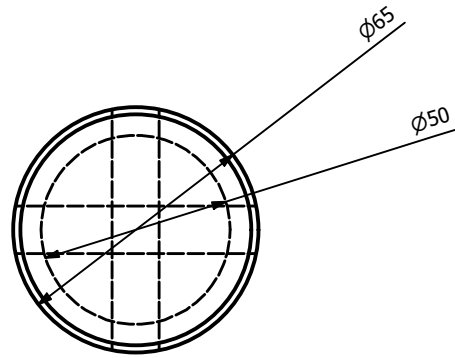



REVISION HISTORY					
Rev.	Date	Description	Designer	Chkd.By	Appr.By



Date 14.05.2020	EN-ISO-13920-A EN-22768-C	Format A3	Scale N/A	 vågen <small>composites</small> N-5680 TYSNES + 47 53 43 02 00 www.vagen.no
Drawn AF	Checked AF	Approved AF	Substituted for	
Vågen Express Ø200/Ø300 Mellomaksling Karbonstål			Drawing number Ø200.69.20.504	Substituted by
Reference	Project number 16292	Vågen Express Ø200.69.20.504 Mellomaksling idv		