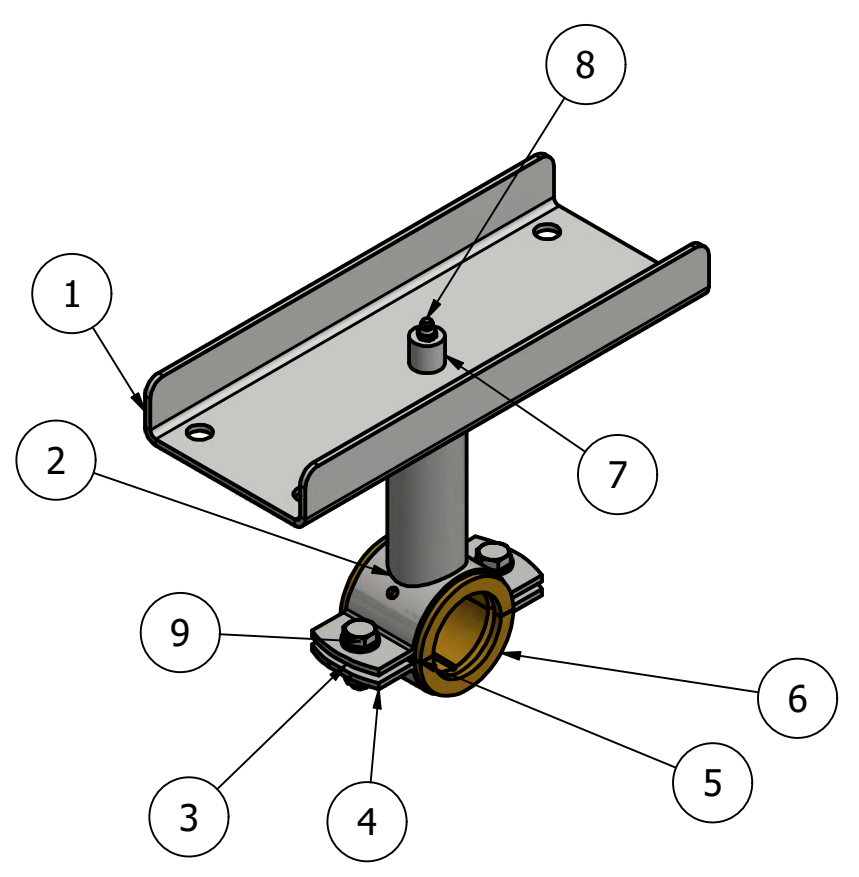
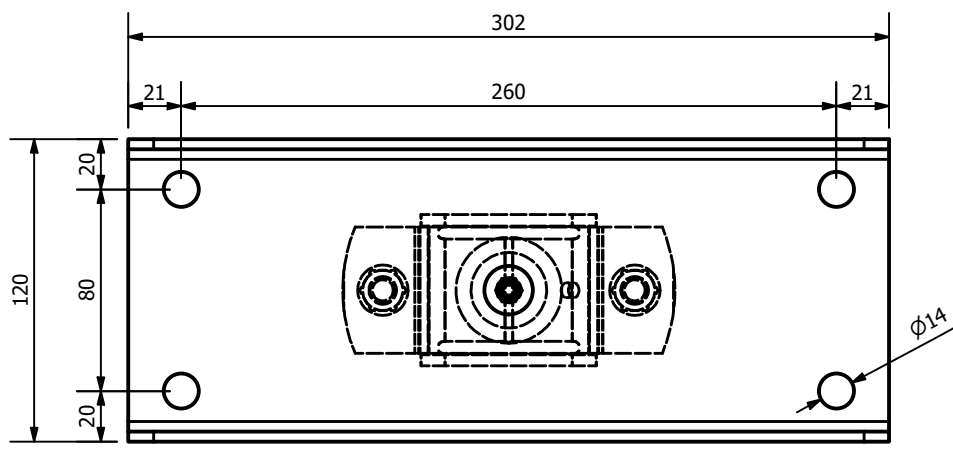
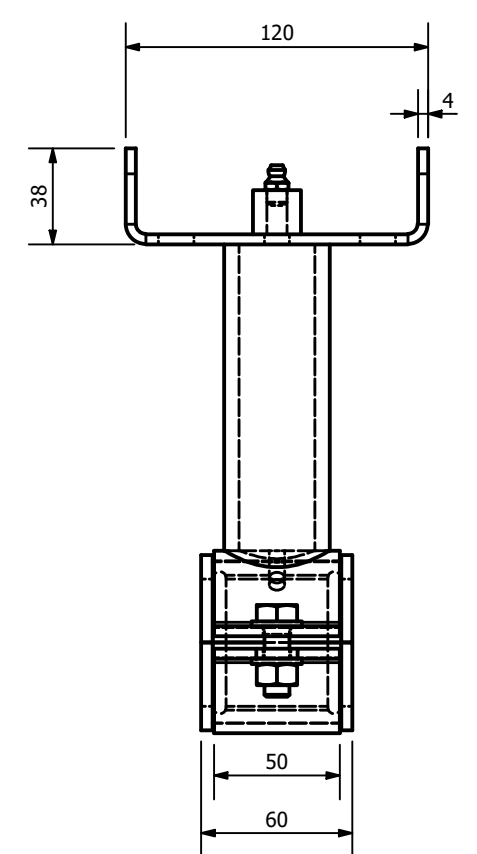
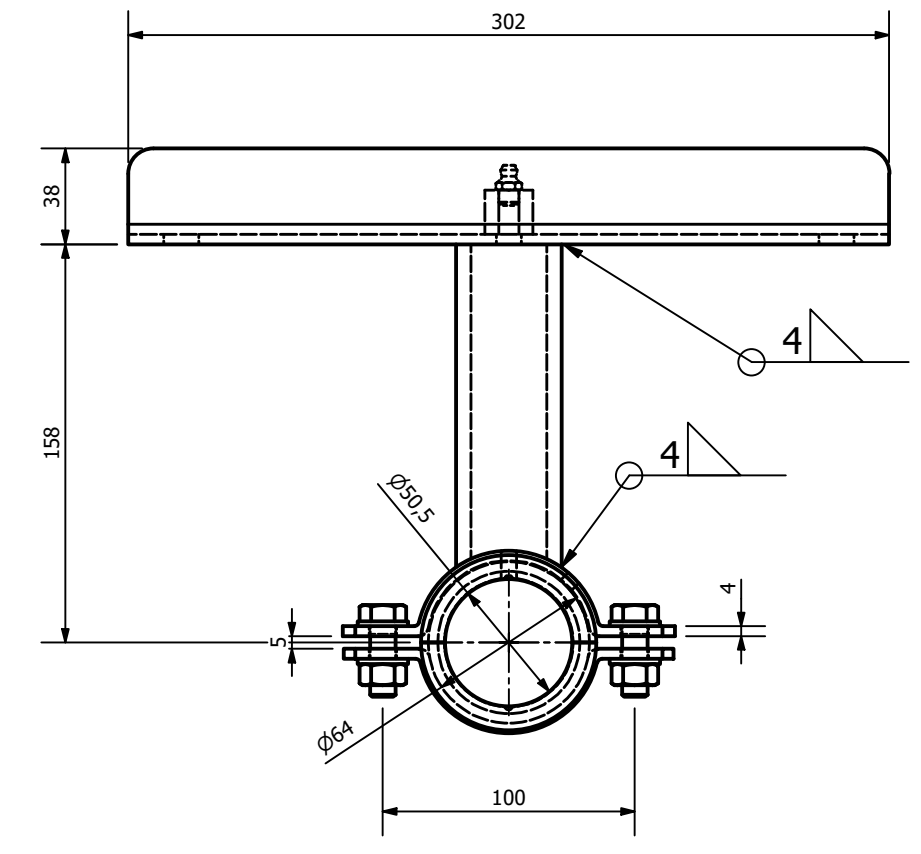


REVISION HISTORY					
Rev.	Date	Description	Designer	Chkd.By	Appr.By



PARTS LIST			
ITEM	QTY	PART NUMBER	DESCRIPTION
1	1	21_533_03_01	
2	1	Ø200.21_533_03_14	
3	1	21_533_03_12	
4	1	21_533_03_13_02	overdel
5	1	21_533_03_12_02	Bronze Bearing Ø50,5 / 64
6	1	21_533_03_15_02	Bronze Bearing Ø50,5 / 64
7	1	21_533_03_07	
8	1	21_533_03_08	
9	2	Bolt M10x30	Bolt c/w Lock Nut and 2 Washers

Date 15.09.2020	EN-ISO-13920-A EN-22768-C	Format A3	Scale N/A	 N-5680 TYSNES + 47 53 43 02 00 www.vagen.no
Drawn AF	Checked JRK	Approved		
Vågen Express Ø200 Ø200 Mellomlager			Substituted for	Substituted by
Reference 16292			Drawing number Ø200.69.21.533_Rev 02	
Project number			Vågen Express Ø200.69.21.533 Rev 02 Mellomlager.idw	