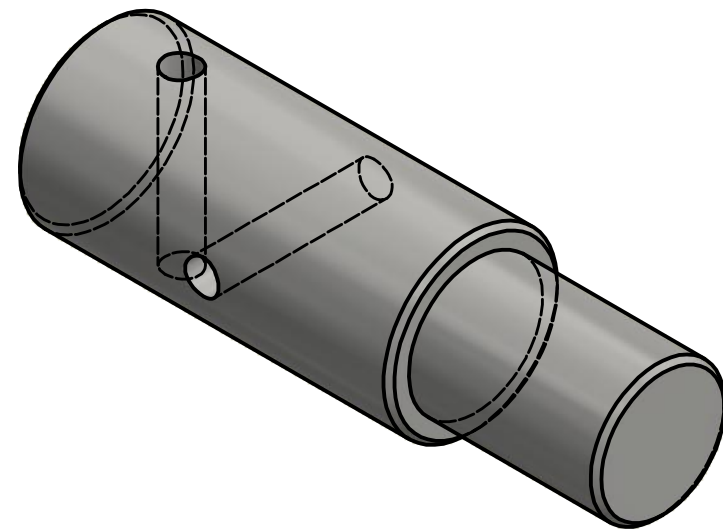
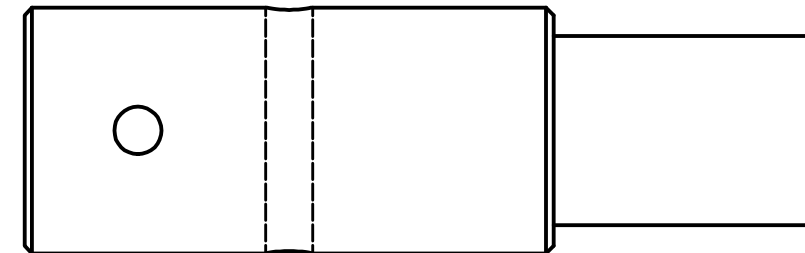
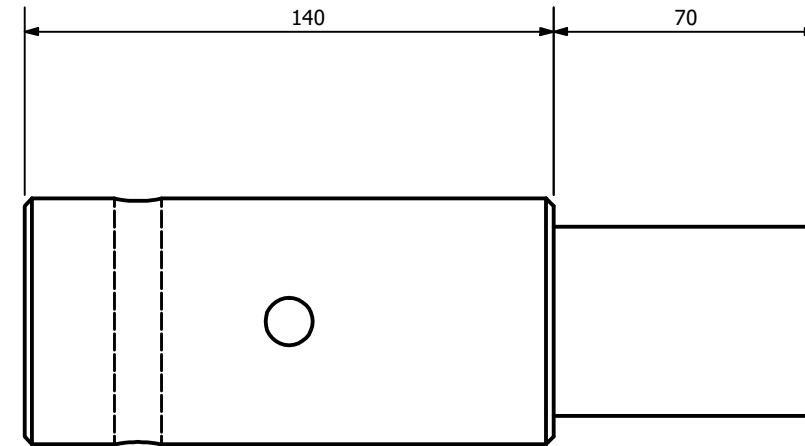
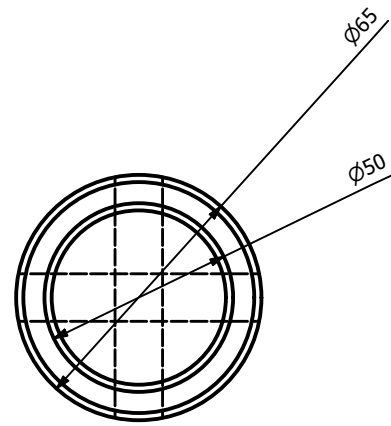



REVISION HISTORY

Rev.	Date	Description	Designer	Chkd.By	Appr.By



Date 14.05.2020	EN-ISO-13920-A EN-22768-C	Format A3	Scale N/A	 N-5680 TYSNES + 47 53 43 02 00 www.vagen.no
Drawn AF	Checked AF	Approved AF	Substituted for	
Vågen Express $\varnothing 200/\varnothing 300$ Endeaksling Karbonstål			Drawing number $\varnothing 200.69.20.503$	Substituted by
Reference	Project number 16292	Vågen Express $\varnothing 200.69.20.503$ Endeaksling.idw		