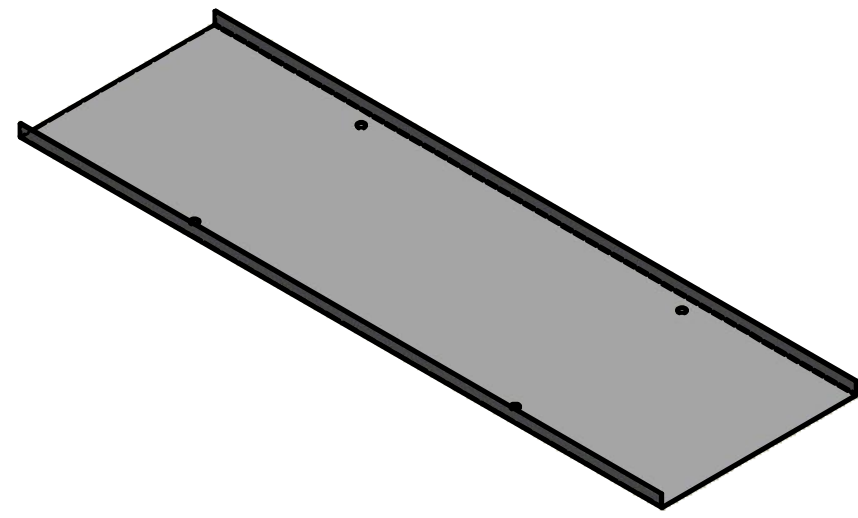
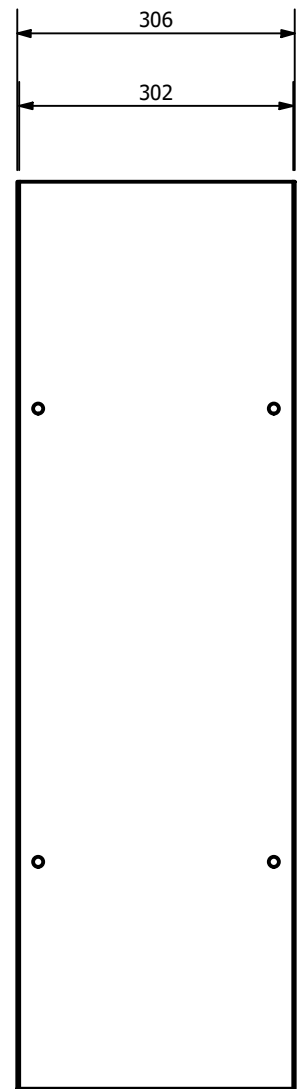
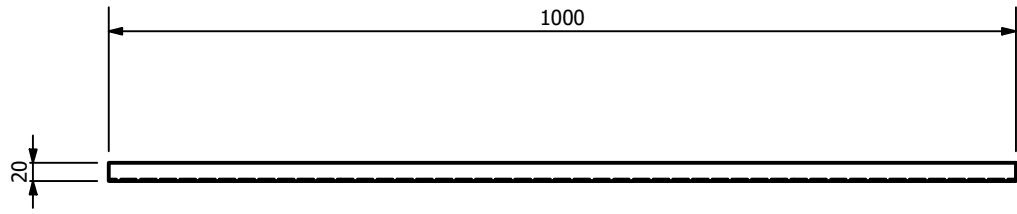



REVISION HISTORY					
Rev.	Date	Description	Designer	Chkd.By	Appr.By



Date 14.05.2020	EN-ISO-13920-A EN-22768-C	Format A3	Scale N/A	 vågen <small>concrete</small> N-5680 TYSNES + 47 53 43 02 00 www.vagen.no
Drawn AF	Checked	Approved	Substituted for	
Vågen Express Ø200 Lokk AISI304			Drawing number Ø200.69.24.01	Substituted by
Reference	Project number 16292	Vågen Express.Ø200.69.24.01 Lokk.idw		