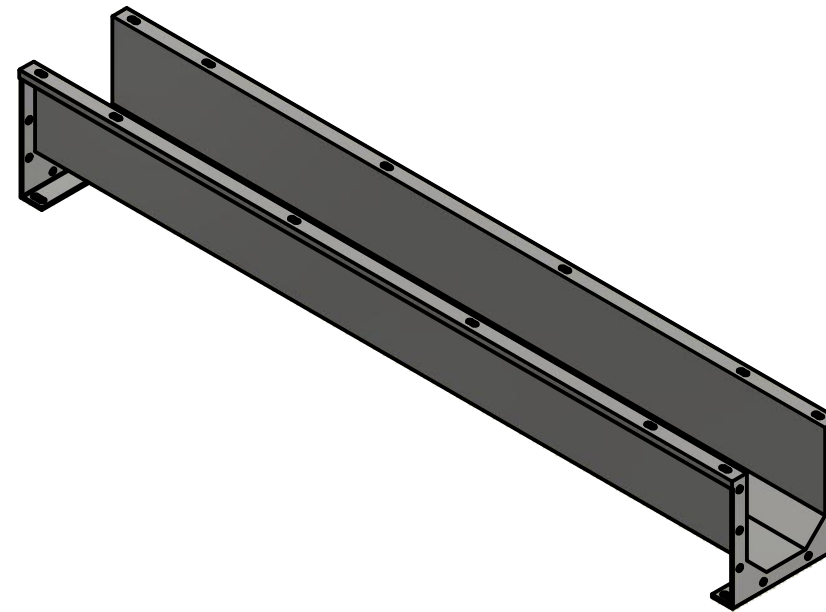
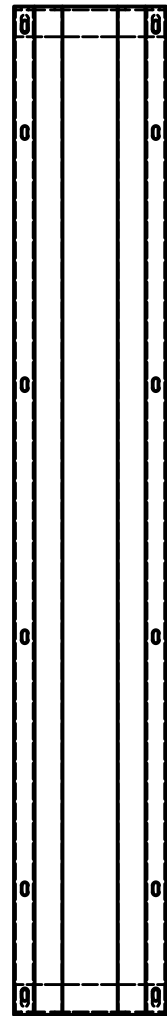
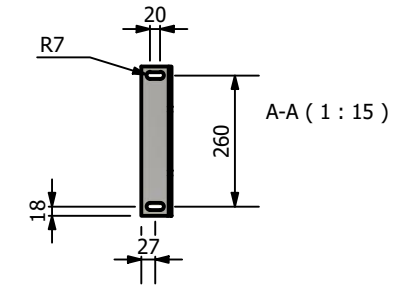
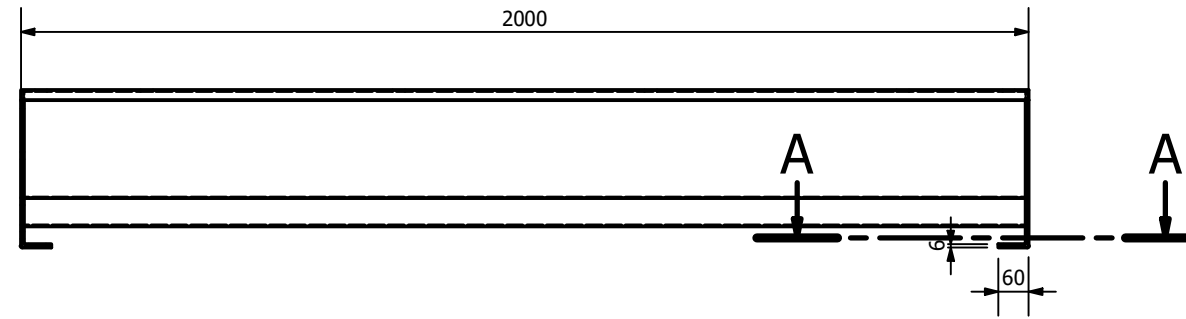
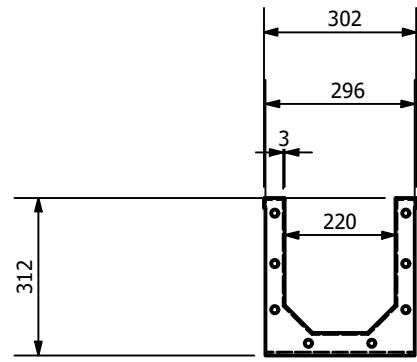



REVISION HISTORY

| Rev. | Date | Description | Designer | Chkd.By | Appr.By |
|------|------|-------------|----------|---------|---------|
| | | | | | |



| | | | | |
|--|------------------------------|---|--------------------------------------|---|
| Date 12.05.2020 | EN-ISO-13920-A EN-22768-C | Format A3 | Scale N/A |  N-5680 TYSNES + 47 53 43 02 00 www.vagen.no |
| Drawn AF | Checked AF | Approved AF | Substituted for | |
| Vågen Express Ø200 Trau 2000 mm AISI304 | | | Drawing number Ø200.69.23.01.2000 | Substituted by |
| Reference | Project number 16292 | Vågen Express.Ø200.69.23.01.2000 mm Trau.idw | | |